

# CLASS 150 BLACK & GALVANIZED MALLEABLE IRON FITTINGS

## MATERIAL SPECIFICATIONS:

- ANSI/ASTM A197 Cupola Malleable Iron Castings
- ASTM A153 Zinc Coating

## DIMENSIONAL SPECIFICATIONS:

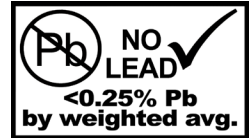
- ANSI/ASME B16.3 Threaded Fittings
- ANSI/ASME B16.14 Threaded Plugs, Bushings & Locknuts
- ANSI/ASME B16.39 Threaded Unions

## THREAD SPECIFICATIONS:

- ANSI/ASME B1.20.1 Pipe Threads

## CERTIFICATION:

- UL Manufactured
- FM Standard 1920
- NSF/ANSI 61 & 372 Certified (Galvanized series only)
- CRNs are available



MATERIAL LIST	
Name	Percent of Composition
Cupola Malleable Iron	
Iron (Fe)	≥94.0
Carbon (C)	2.9-3.1
Silicone (Si)	1.35-1.6
Manganese (Mn)	0.4-0.6
Phosphorus (P)	<0.1
Sulfur (S)	<0.2



**BOSHART**  
INDUSTRIES

25 Whaley Avenue, PO Box 310, Milverton, ON CANADA N0K 1M0  
Tel: 800-561-3164

[boshart.com](http://boshart.com) ♦ [blog.boshart.com](http://blog.boshart.com)

# CLASS 150 BLACK / GALVANIZED MALLEABLE IRON FITTINGS

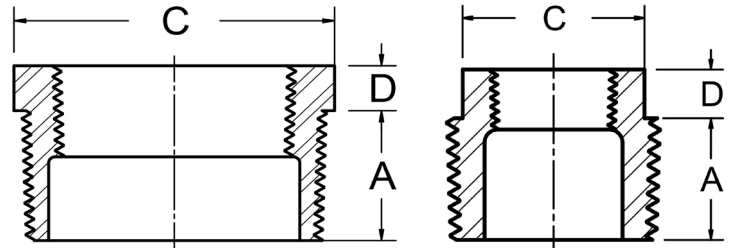
## Bushing - MPT x FPT



Outside Head



Inside Head



† Inside Head

Black	Galvanized	Size	A		D		C	
			Inches	mm	Inches	mm	Inches	mm
2-BLB-0201	2-GB-0201	1/4" x 1/8"	0.44	11.2	0.14	3.6	0.64	16.3
2-BLB-0301	2-GB-0301	3/8" x 1/8"	0.48	12.2	0.16	4.1	0.68	17.3
2-BLB-0302	2-GB-0302	3/8" x 1/4"	0.48	12.2	0.16	4.1	0.68	17.3
2-BLB-0501	2-GB-0501	1/2" x 1/8"	0.56	14.2	0.19	4.8	0.87	22.1
2-BLB-0502	2-GB-0502	1/2" x 1/4"	0.56	14.2	0.19	4.8	0.87	22.1
2-BLB-0503	2-GB-0503	1/2" x 3/8"	0.56	14.2	0.19	4.8	0.87	22.1
2-BLB-0701	2-GB-0701	3/4" x 1/8"	0.63	16.0	0.22	5.6	1.15	29.2
2-BLB-0702	2-GB-0702	3/4" x 1/4"	0.63	16.0	0.22	5.6	1.15	29.2
2-BLB-0703	2-GB-0703	3/4" x 3/8"	0.63	16.0	0.22	5.6	1.15	29.2
2-BLB-0705	2-GB-0705	3/4" x 1/2"	0.63	16.0	0.22	5.6	1.15	29.2
2-BLB-1001 †	2-GB-1001 †	1" x 1/8"	0.75	19.1	0.30	7.6	1.12	28.4
2-BLB-1002 †	2-GB-1002 †	1" x 1/4"	0.75	19.1	0.30	7.6	1.12	28.4
2-BLB-1003 †	2-GB-1003 †	1" x 3/8"	0.75	19.1	0.30	7.6	1.12	28.4
2-BLB-1005	2-GB-1005	1" x 1/2"	0.75	19.1	0.25	6.4	1.42	36.1
2-BLB-1007	2-GB-1007	1" x 3/4"	0.75	19.1	0.25	6.4	1.42	36.1
2-BLB-1202 †	2-GB-1202 †	1-1/4" x 1/4"	0.80	20.3	0.34	8.6	1.12	28.4
2-BLB-1203 †	2-GB-1203 †	1-1/4" x 3/8"	0.80	20.3	0.34	8.6	1.12	28.4
2-BLB-1205 †	2-GB-1205 †	1-1/4" x 1/2"	0.80	20.3	0.34	8.6	1.34	34.0
2-BLB-1207	2-GB-1207	1-1/4" x 3/4"	0.80	20.3	0.28	7.1	1.76	44.7
2-BLB-1210	2-GB-1210	1-1/4" x 1"	0.80	20.3	0.28	7.1	1.76	44.7
2-BLB-1501 †	N/A	1-1/2" x 1/8"	0.83	21.1	0.37	9.4	1.12	28.4
2-BLB-1502 †	2-GB-1502 †	1-1/2" x 1/4"	0.83	21.1	0.37	9.4	1.12	28.4
2-BLB-1503 †	2-GB-1503 †	1-1/2" x 3/8"	0.83	21.1	0.37	9.4	1.12	28.4
2-BLB-1505 †	2-GB-1505 †	1-1/2" x 1/2"	0.83	21.1	0.37	9.4	1.34	34.0
2-BLB-1507 †	2-GB-1507 †	1-1/2" x 3/4"	0.83	21.1	0.37	9.4	1.63	41.4
2-BLB-1510	2-GB-1510	1-1/2" x 1"	0.83	21.1	0.31	7.9	2.00	50.8
2-BLB-1512	2-GB-1512	1-1/2" x 1-1/4"	0.83	21.1	0.31	7.9	2.00	50.8

# CLASS 150 BLACK / GALVANIZED MALLEABLE IRON FITTINGS

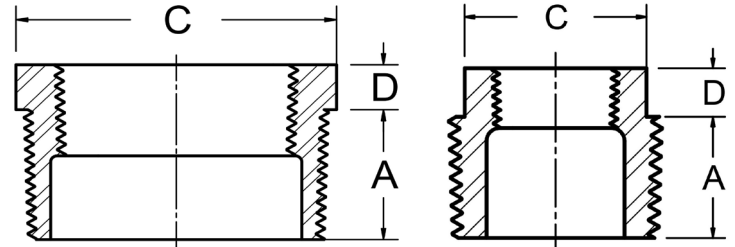
## Bushing - MPT x FPT



Outside Head



Inside Head



† Inside Head

Black	Galvanized	Size	A		D		C	
			Inches	mm	Inches	mm	Inches	mm
2-BLB-2002 †	2-GB-2002 †	2" x 1/4"	0.88	22.4	0.41	10.4	1.12	28.4
2-BLB-2003 †	2-GB-2003 †	2" x 3/8"	0.88	22.4	0.41	10.4	1.12	28.4
2-BLB-2005 †	2-GB-2005 †	2" x 1/2"	0.88	22.4	0.41	10.4	1.34	34.0
2-BLB-2007 †	2-GB-2007 †	2" x 3/4"	0.88	22.4	0.41	10.4	1.63	41.4
2-BLB-2010 †	2-GB-2010 †	2" x 1"	0.88	22.4	0.41	10.4	1.95	49.5
2-BLB-2012	2-GB-2012	2" x 1-1/4"	0.88	22.4	0.34	8.6	2.48	63.0
2-BLB-2015	2-GB-2015	2" x 1-1/2"	0.88	22.4	0.34	8.6	2.48	63.0
2-BLB-2505 †	2-GB-2505 †	2-1/2" x 1/2"	1.07	27.2	0.44	11.2	1.34	34.0
2-BLB-2507 †	2-GB-2507 †	2-1/2" x 3/4"	1.07	27.2	0.44	11.2	1.63	41.4
2-BLB-2510 †	2-GB-2510 †	2-1/2" x 1"	1.07	27.2	0.44	11.2	1.95	49.5
2-BLB-2512 †	2-GB-2512 †	2-1/2" x 1-1/4"	1.07	27.2	0.44	11.2	2.39	60.7
2-BLB-2515	2-GB-2515	2-1/2" x 1-1/2"	1.07	27.2	0.44	11.2	2.68	68.1
2-BLB-2520	2-GB-2520	2-1/2" x 2"	1.07	27.2	0.37	9.4	2.98	75.7
2-BLB-3005 †	2-GB-3005 †	3" x 1/2"	1.13	28.7	0.48	12.2	1.34	34.0
2-BLB-3007 †	N/A	3" x 3/4"	1.13	28.7	0.48	12.2	1.63	41.4
2-BLB-3010 †	2-GB-3010 †	3" x 1"	1.13	28.7	0.48	12.2	1.95	49.5
2-BLB-3012 †	2-GB-3012 †	3" x 1-1/4"	1.13	28.7	0.48	12.2	2.39	60.7
2-BLB-3015 †	2-GB-3015 †	3" x 1-1/2"	1.13	28.7	0.48	12.2	2.68	68.1
2-BLB-3020	2-GB-3020	3" x 2"	1.13	28.7	0.48	12.2	3.28	83.3
2-BLB-3025	2-GB-3025	3" x 2-1/2"	1.13	28.7	0.40	10.2	3.86	98.0
2-BLB-3520 †	N/A	3-1/2" x 2"	1.18	30.0	0.52	13.2	3.28	83.3
2-BLB-3530	N/A	3-1/2" x 3"	1.18	30.0	0.43	10.9	4.62	117.3
2-BLB-4007 †	N/A	4" x 3/4"	1.22	31.0	0.60	15.2	1.95	49.5
2-BLB-4010 †	2-GB-4010 †	4" x 1"	1.22	31.0	0.60	15.2	1.95	49.5
2-BLB-4012 †	2-GB-4012 †	4" x 1-1/4"	1.22	31.0	0.60	15.2	2.39	60.7
2-BLB-4015 †	2-GB-4015 †	4" x 1-1/2"	1.22	31.0	0.60	15.2	2.68	68.1
2-BLB-4020 †	2-GB-4020 †	4" x 2"	1.22	31.0	0.60	15.2	3.28	83.3
2-BLB-4025 †	2-GB-4025 †	4" x 2-1/2"	1.22	31.0	0.60	15.2	3.86	98.0
2-BLB-4030	2-GB-4030	4" x 3"	1.22	31.0	0.50	12.7	4.62	117.3

**BOSHART**  
INDUSTRIES

25 Whaley Avenue, PO Box 310, Milverton, ON CANADA N0K 1M0  
Tel: 800-561-3164

[boshart.com](http://boshart.com) ♦ [blog.boshart.com](http://blog.boshart.com)

# CLASS 150 BLACK / GALVANIZED MALLEABLE IRON FITTINGS

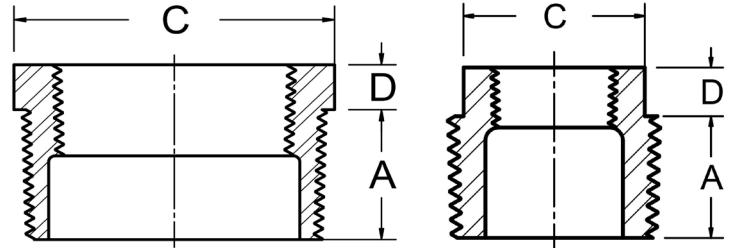
## Bushing - MPT x FPT



Outside Head



Inside Head

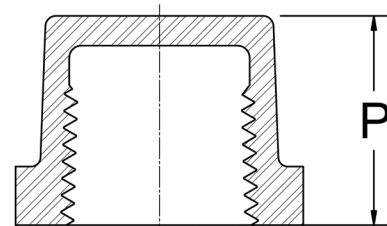


† Inside Head

Black	Galvanized	Size	A		D		C	
			Inches	mm	Inches	mm	Inches	mm
2-BLB-5020 †	N/A	5" x 2"	1.31	33.3	0.60	15.2	3.28	83.3
2-BLB-5030 †	2-GB-5030 †	5" x 3"	1.31	33.3	0.60	15.2	4.62	117.3
2-BLB-5040	2-GB-5040	5" x 4"	1.31	33.3	0.50	12.7	5.79	147.1
2-BLB-6030 †	2-GB-6030 †	6" x 3"	1.40	35.6	0.75	19.1	4.62	117.3
2-BLB-6040 †	2-GB-6040 †	6" x 4"	1.40	35.6	0.75	19.1	5.79	147.1
2-BLB-6050	2-GB-6050	6" x 5"	1.40	35.6	0.63	16.0	7.05	179.1

## Cap - FPT

Black	Galvanized	Size	P	
			Inches	mm
2-BLCA-01	2-GCA-01	1/8"	0.53	13.5
2-BLCA-02	2-GCA-02	1/4"	0.63	16
2-BLCA-03	2-GCA-03	3/8"	0.74	18.8
2-BLCA-05	2-GCA-05	1/2"	0.87	22.1
2-BLCA-07	2-GCA-07	3/4"	0.97	24.6
2-BLCA-10	2-GCA-10	1"	1.16	29.5
2-BLCA-12	2-GCA-12	1-1/4"	1.28	32.5
2-BLCA-15	2-GCA-15	1-1/2"	1.33	33.8
2-BLCA-20	2-GCA-20	2"	1.45	36.8
2-BLCA-25	2-GCA-25	2-1/2"	1.70	43.2
2-BLCA-30	2-GCA-30	3"	1.80	45.7
2-BLCA-40	2-GCA-40	4"	2.08	52.8
2-BLCA-50	2-GCA-50	5"	2.32	58.9
2-BLCA-60	2-GCA-60	6"	2.55	64.8



**BOSHART**  
INDUSTRIES

25 Whaley Avenue, PO Box 310, Milverton, ON CANADA N0K 1M0  
Tel: 800-561-3164

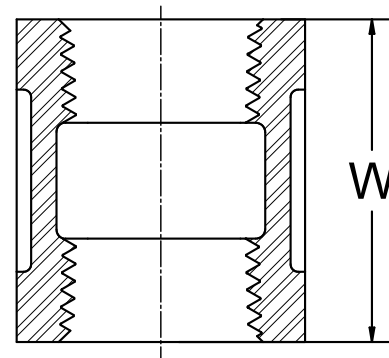
[boshart.com](http://boshart.com) ♦ [blog.boshart.com](http://blog.boshart.com)

# CLASS 150 BLACK / GALVANIZED MALLEABLE IRON FITTINGS

## Coupling - FPT



Black	Galvanized	Size	W	
			Inches	mm
2-BLC-01	2-GC-01	1/8"	0.96	24.2
2-BLC-02	2-GC-02	1/4"	1.06	26.9
2-BLC-03	2-GC-03	3/8"	1.16	29.5
2-BLC-05	2-GC-05	1/2"	1.34	34.0
2-BLC-07	2-GC-07	3/4"	1.52	38.6
2-BLC-10	2-GC-10	1"	1.67	42.4
2-BLC-12	2-GC-12	1-1/4"	1.93	49.0
2-BLC-15	2-GC-15	1-1/2"	2.15	54.6
2-BLC-20	2-GC-20	2"	2.53	64.3
2-BLC-25	2-GC-25	2-1/2"	2.88	73.2
2-BLC-30	2-GC-30	3"	3.18	80.8
2-BLC-40	2-GC-40	4"	3.69	93.7
2-BLC-50	2-GC-50	5"	3.74	95
2-BLC-60	2-GC-60	6"	4.13	105

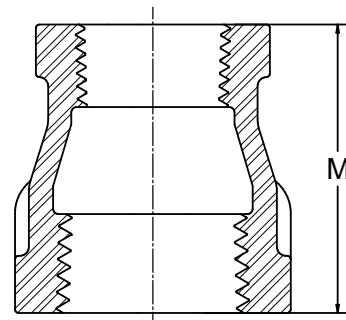




# CLASS 150 BLACK / GALVANIZED MALLEABLE IRON FITTINGS

## Reducing Coupling - FPT

Black	Galvanized	Size	M	
			Inches	mm
2-BLRC-0201	2-GRC-0201	1/4" x 1/8"	1.00	25.4
2-BLRC-0301	2-GRC-0301	3/8" x 1/8"	1.13	28.7
2-BLRC-0302	2-GRC-0302	3/8" x 1/4"	1.13	28.7
2-BLRC-0501	2-GRC-0501	1/2" x 1/8"	1.25	31.8
2-BLRC-0502	2-GRC-0502	1/2" x 1/4"	1.25	31.8
2-BLRC-0503	2-GRC-0503	1/2" x 3/8"	1.25	31.8
2-BLRC-0701	2-GRC-0701	3/4" x 1/8"	1.44	36.6
2-BLRC-0702	2-GRC-0702	3/4" x 1/4"	1.44	36.6
2-BLRC-0703	2-GRC-0703	3/4" x 3/8"	1.44	36.6
2-BLRC-0705	2-GRC-0705	3/4" x 1/2"	1.44	36.6
2-BLRC-1002	2-GRC-1002	1" x 1/4"	1.69	42.9
2-BLRC-1003	2-GRC-1003	1" x 3/8"	1.69	42.9
2-BLRC-1005	2-GRC-1005	1" x 1/2"	1.69	42.9
2-BLRC-1007	2-GRC-1007	1" x 3/4"	1.69	42.9
2-BLRC-1203	2-GRC-1203	1-1/4" x 3/8"	2.06	52.3
2-BLRC-1205	2-GRC-1205	1-1/4" x 1/2"	2.06	52.3
2-BLRC-1207	2-GRC-1207	1-1/4" x 3/4"	2.06	52.3
2-BLRC-1210	2-GRC-1210	1-1/4" x 1"	2.06	52.3
2-BLRC-1503	N/A	1-1/2" x 3/8"	2.31	58.7
2-BLRC-1505	2-GRC-1505	1-1/2" x 1/2"	2.31	58.7
2-BLRC-1507	2-GRC-1507	1-1/2" x 3/4"	2.31	58.7
2-BLRC-1510	2-GRC-1510	1-1/2" x 1"	2.31	58.7
2-BLRC-1512	2-GRC-1512	1-1/2" x 1-1/4"	2.31	58.7
2-BLRC-2003	N/A	2" x 3/8"	2.81	71.4
2-BLRC-2005	2-GRC-2005	2" x 1/2"	2.81	71.4
2-BLRC-2007	2-GRC-2007	2" x 3/4"	2.81	71.4
2-BLRC-2010	2-GRC-2010	2" x 1"	2.81	71.4
2-BLRC-2012	2-GRC-2012	2" x 1-1/4"	2.81	71.4
2-BLRC-2015	2-GRC-2015	2" x 1-1/2"	2.81	71.4
N/A	2-GRC-2505	2-1/2" x 1/2"	3.25	82.6
2-BLRC-2507	2-GRC-2507	2-1/2" x 3/4"	3.25	82.6
2-BLRC-2510	2-GRC-2510	2-1/2" x 1"	3.25	82.6
2-BLRC-2512	2-GRC-2512	2-1/2" x 1-1/4"	3.25	82.6
2-BLRC-2515	2-GRC-2515	2-1/2" x 1-1/2"	3.25	82.6
2-BLRC-2520	2-GRC-2520	2-1/2" x 2"	3.25	82.6

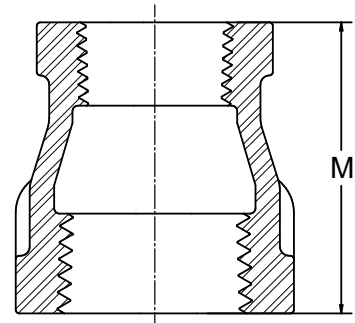


# CLASS 150 BLACK / GALVANIZED MALLEABLE IRON FITTINGS

## Reducing Coupling - FPT



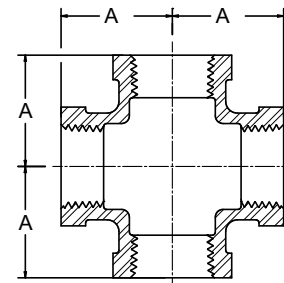
Black	Galvanized	Size	M	
			Inches	mm
2-BLRC-3007	N/A	3" x 3/4"	3.69	93.7
2-BLRC-3010	2-GRC-3010	3" x 1"	3.69	93.7
2-BLRC-3012	2-GRC-3012	3" x 1-1/4"	3.69	93.7
2-BLRC-3015	2-GRC-3015	3" x 1-1/2"	3.69	93.7
2-BLRC-3020	2-GRC-3020	3" x 2"	3.69	93.7
2-BLRC-3025	2-GRC-3025	3" x 2-1/2"	3.69	93.7
2-BLRC-4010	N/A	4" x 1"	4.38	111.3
2-BLRC-4012	N/A	4" x 1-1/4"	4.38	111.3
2-BLRC-4015	2-GRC-4015	4" x 1-1/2"	4.38	111.3
2-BLRC-4020	2-GRC-4020	4" x 2"	4.38	111.3
2-BLRC-4025	2-GRC-4025	4" x 2-1/2"	4.38	111.3
2-BLRC-4030	2-GRC-4030	4" x 3"	4.38	111.3
2-BLRC-5040	2-GRC-5040	5" x 4"	4.67	118.5
2-BLRC-6030	2-GRC-6030	6" x 3"	4.13	105
2-BLRC-6040	2-GRC-6040	6" x 4"	4.13	105



# CLASS 150 BLACK / GALVANIZED MALLEABLE IRON FITTINGS

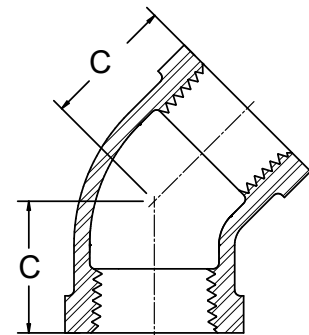
## Cross - FPT

Black	Galvanized	Size	A	
			Inches	mm
2-BLCR-01	2-GCR-01	1/8"	0.69	17.5
2-BLCR-02	2-GCR-02	1/4"	0.81	20.6
2-BLCR-03	2-GCR-03	3/8"	0.95	24.1
2-BLCR-05	2-GCR-05	1/2"	1.12	28.5
2-BLCR-07	2-GCR-07	3/4"	1.31	33.3
2-BLCR-10	2-GCR-10	1"	1.50	38.1
2-BLCR-12	2-GCR-12	1-1/4"	1.75	44.5
2-BLCR-15	2-GCR-15	1-1/2"	1.94	49.3
2-BLCR-20	2-GCR-20	2"	2.25	57.2
2-BLCR-25	2-GCR-25	2-1/2"	2.70	68.6
2-BLCR-30	2-GCR-30	3"	3.08	78.2
2-BLCR-40	2-GCR-40	4"	3.79	96.3



## 45° Elbow - FPT

Black	Galvanized	Size	C	
			Inches	mm
2-BLE4-01	2-GE4-01	1/8"	0.63	16
2-BLE4-02	2-GE4-02	1/4"	0.73	18.5
2-BLE4-03	2-GE4-03	3/8"	0.80	20.3
2-BLE4-05	2-GE4-05	1/2"	0.88	22.4
2-BLE4-07	2-GE4-07	3/4"	0.98	24.9
2-BLE4-10	2-GE4-10	1"	1.12	28.5
2-BLE4-12	2-GE4-12	1-1/4"	1.29	32.8
2-BLE4-15	2-GE4-15	1-1/2"	1.43	36.3
2-BLE4-20	2-GE4-20	2"	1.68	42.7
2-BLE4-25	2-GE4-25	2-1/2"	1.95	49.5
2-BLE4-30	2-GE4-30	3"	2.17	55.1
2-BLE4-40	2-GE4-40	4"	2.61	66.3
2-BLE4-60	2-GE4-60	6"	3.46	87.9



**BOSHART**  
INDUSTRIES

25 Whaley Avenue, PO Box 310, Milverton, ON CANADA N0K 1M0  
Tel: 800-561-3164

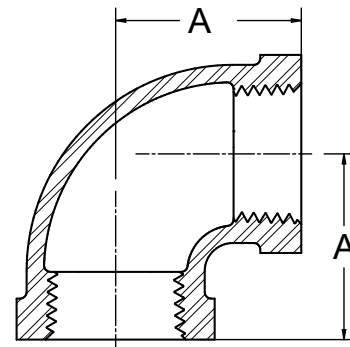
[boshart.com](http://boshart.com) ♦ [blog.boshart.com](http://blog.boshart.com)



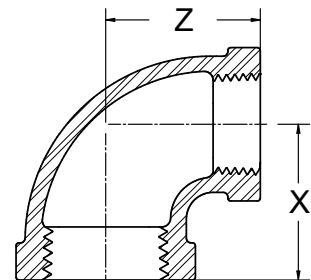
# CLASS 150 BLACK / GALVANIZED MALLEABLE IRON FITTINGS

## 90° Elbow - FPT

Black	Galvanized	Size	A	
			Inches	mm
2-BLE-01	2-GE-01	1/8"	0.69	17.5
2-BLE-02	2-GE-02	1/4"	0.81	20.6
2-BLE-03	2-GE-03	3/8"	0.95	24.1
2-BLE-05	2-GE-05	1/2"	1.12	28.5
2-BLE-07	2-GE-07	3/4"	1.31	33.3
2-BLE-10	2-GE-10	1"	1.50	38.1
2-BLE-12	2-GE-12	1-1/4"	1.75	44.5
2-BLE-15	2-GE-15	1-1/2"	1.94	49.3
2-BLE-20	2-GE-20	2"	2.25	57.2
2-BLE-25	2-GE-25	2-1/2"	2.70	68.6
2-BLE-30	2-GE-30	3"	3.08	78.2
2-BLE-40	2-GE-40	4"	3.79	96.3
2-BLE-50	2-GE-50	5"	4.50	114.3
2-BLE-60	2-GE-60	6"	5.13	130.3



## Reducing 90° Elbow - FPT



Black	Galvanized	Size	X		Z	
			Inches	mm	Inches	mm
2-BLRE-0201	2-GRE-0201	1/4" x 1/8"	0.74	18.8	0.76	19.3
2-BLRE-0301	N/A	3/8" x 1/8"	0.81	20.5	0.85	21.6
2-BLRE-0302	2-GRE-0302	3/8" x 1/4"	0.88	22.4	0.90	22.9
2-BLRE-0501	N/A	1/2" x 1/8"	0.97	24.6	0.92	23.4
2-BLRE-0502	2-GRE-0502	1/2" x 1/4"	0.97	24.6	0.98	24.9
2-BLRE-0503	2-GRE-0503	1/2" x 3/8"	1.03	26.2	1.04	26.4

**BOSHART**  
INDUSTRIES

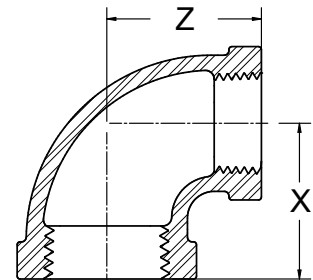
25 Whaley Avenue, PO Box 310, Milverton, ON CANADA N0K 1M0  
Tel: 800-561-3164

[boshart.com](http://boshart.com) ♦ [blog.boshart.com](http://blog.boshart.com)

# CLASS 150 BLACK / GALVANIZED MALLEABLE IRON FITTINGS

## Reducing 90° Elbow - FPT

Black	Galvanized	Size	X		Z	
			Inches	mm	Inches	mm
2-BLRE-0701	N/A	3/4" x 1/8"	1.03	26.2	1.13	28.7
2-BLRE-0702	2-GRE-0702	3/4" x 1/4"	1.05	26.7	1.08	27.4
2-BLRE-0703	2-GRE-0703	3/4" x 3/8"	1.12	28.5	1.13	28.7
2-BLRE-0705	2-GRE-0705	3/4" x 1/2"	1.20	30.5	1.22	31.0
2-BLRE-1002	N/A	1" x 1/4"	1.06	27.0	1.22	31.0
2-BLRE-1003	2-GRE-1003	1" x 3/8"	1.18	30.0	1.27	32.3
2-BLRE-1005	2-GRE-1005	1" x 1/2"	1.26	32.0	1.36	35.5
2-BLRE-1007	2-GRE-1007	1" x 3/4"	1.37	34.8	1.45	36.8
2-BLRE-1205	2-GRE-1205	1-1/4" x 1/2"	1.34	34.0	1.53	38.9
2-BLRE-1207	2-GRE-1207	1-1/4" x 3/4"	1.45	36.8	1.62	41.2
2-BLRE-1210	2-GRE-1210	1-1/4" x 1"	1.58	40.1	1.67	42.4
2-BLRE-1505	2-GRE-1505	1-1/2" x 1/2"	1.38	35.0	1.63	41.5
2-BLRE-1507	2-GRE-1507	1-1/2" x 3/4"	1.52	38.6	1.75	44.5
2-BLRE-1510	2-GRE-1510	1-1/2" x 1"	1.65	41.9	1.80	45.7
2-BLRE-1512	2-GRE-1512	1-1/2" x 1-1/4"	1.82	46.2	1.88	47.8
2-BLRE-2005	2-GRE-2005	2" x 1/2"	1.48	37.5	1.87	47.5
2-BLRE-2007	2-GRE-2007	2" x 3/4"	1.60	40.6	1.97	50.0
2-BLRE-2010	2-GRE-2010	2" x 1"	1.73	43.9	2.02	51.3
2-BLRE-2012	2-GRE-2012	2" x 1-1/4"	1.90	48.3	2.10	53.3
2-BLRE-2015	2-GRE-2015	2" x 1-1/2"	2.02	51.3	2.16	54.9
2-BLRE-2507	N/A	2-1/2" x 3/4"	1.65	42.0	2.24	57.0
2-BLRE-2510	N/A	2-1/2" x 1"	1.81	46.0	2.31	58.7
2-BLRE-2512	N/A	2-1/2" x 1-1/4"	1.99	50.5	2.36	60.0
2-BLRE-2515	2-GRE-2515	2-1/2" x 1-1/2"	2.16	54.9	2.51	63.8
2-BLRE-2520	2-GRE-2520	2-1/2" x 2"	2.39	60.7	2.60	66.0
2-BLRE-3010	N/A	3" x 1"	1.97	50.0	2.66	67.5
2-BLRE-3015	2-GRE-3015	3" x 1-1/2"	2.28	58.0	2.83	72.0
2-BLRE-3020	2-GRE-3020	3" x 2"	2.52	64.0	2.89	73.4
2-BLRE-3025	2-GRE-3025	3" x 2-1/2"	2.83	71.9	2.99	75.9
2-BLRE-4020	2-GRE-4020	4" x 2"	2.72	69.0	3.43	87.0
2-BLRE-4025	2-GRE-4025	4" x 2-1/2"	3.07	78.0	3.54	90.0
2-BLRE-4030	2-GRE-4030	4" x 3"	3.30	83.8	3.60	91.4

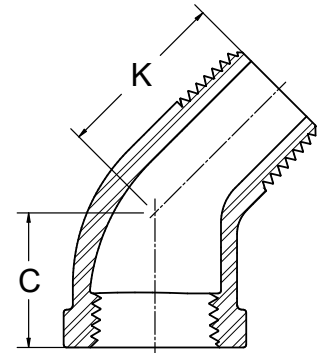


# CLASS 150 BLACK / GALVANIZED MALLEABLE IRON FITTINGS

## 45° Street Elbow - FPT x MPT



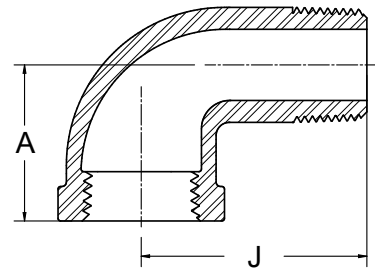
Black	Galvanized	Size	C		K	
			Inches	mm	Inches	mm
2-BLSE4-01	2-GSE4-01	1/8"	0.63	16.0	0.83	21.0
2-BLSE4-02	2-GSE4-02	1/4"	0.73	18.5	0.94	23.9
2-BLSE4-03	2-GSE4-03	3/8"	0.80	20.3	1.03	26.2
2-BLSE4-05	2-GSE4-05	1/2"	0.88	22.4	1.15	29.2
2-BLSE4-07	2-GSE4-07	3/4"	0.98	24.9	1.29	32.8
2-BLSE4-10	2-GSE4-10	1"	1.12	28.5	1.47	37.3
2-BLSE4-12	2-GSE4-12	1-1/4"	1.29	32.8	1.71	43.4
2-BLSE4-15	2-GSE4-15	1-1/2"	1.43	36.3	1.88	47.8
2-BLSE4-20	2-GSE4-20	2"	1.68	42.7	2.22	56.4
2-BLSE4-25	2-GSE4-25	2-1/2"	1.95	49.5	2.57	65.3
2-BLSE4-30	2-GSE4-30	3"	2.17	55.1	3.00	76.2
2-BLSE4-40	2-GSE4-40	4"	2.61	66.3	3.70	94.0



## 90° Street Elbow - FPT x MPT



Black	Galvanized	Size	A		J	
			Inches	mm	Inches	mm
2-BLSE-01	2-GSE-01	1/8"	0.69	17.5	1.00	25.4
2-BLSE-02	2-GSE-02	1/4"	0.81	20.6	1.19	30.2
2-BLSE-03	2-GSE-03	3/8"	0.95	24.1	1.44	36.6
2-BLSE-05	2-GSE-05	1/2"	1.12	28.5	1.63	41.2
2-BLSE-07	2-GSE-07	3/4"	1.31	33.3	1.89	48.0
2-BLSE-10	2-GSE-10	1"	1.50	38.1	2.14	54.4
2-BLSE-12	2-GSE-12	1-1/4"	1.75	44.5	2.45	62.2
2-BLSE-15	2-GSE-15	1-1/2"	1.94	49.3	2.69	68.3
2-BLSE-20	2-GSE-20	2"	2.25	57.2	3.26	82.8
2-BLSE-25	2-GSE-25	2-1/2"	2.70	68.6	3.86	98.0
2-BLSE-30	2-GSE-30	3"	3.08	78.2	4.51	114.6
2-BLSE-40	2-GSE-40	4"	3.79	96.3	5.69	144.5



**BOSHART**  
INDUSTRIES

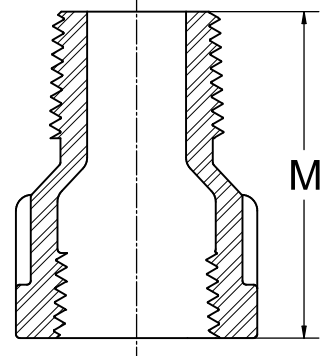
25 Whaley Avenue, PO Box 310, Milverton, ON CANADA N0K 1M0  
Tel: 800-561-3164

[boshart.com](http://boshart.com) ♦ [blog.boshart.com](http://blog.boshart.com)

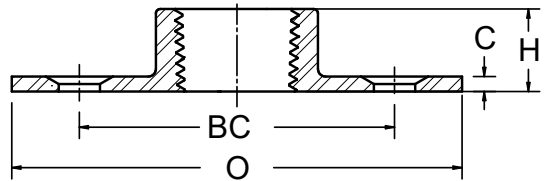
# CLASS 150 BLACK / GALVANIZED MALLEABLE IRON FITTINGS

## Extension Piece - FPT x MPT

Black	Size	M	
		Inches	mm
2-BLXP-05	1/2"	1.69	42.9
2-BLXP-07	3/4"	1.85	47.0
2-BLXP-10	1"	2.09	53.1
2-BLXP-12	1-1/4"	2.13	54.1
2-BLXP-15	1-1/2"	2.44	62.0
2-BLXP-20	2"	2.83	71.9



## Floor Flange - FPT



Black	Galvanized	Size	O		BC		C		H	
			Inches	mm	Inches	mm	Inches	mm	Inches	mm
2-BLFF-05	2-GFF-05	1/2"	3.0	76.2	2.1	53.3	0.22	5.6	0.55	14
2-BLFF-07	2-GFF-07	3/4"	3.4	86.4	2.4	61.0	0.22	5.6	0.63	16
2-BLFF-10	2-GFF-10	1"	3.8	96.5	2.8	71.1	0.23	5.8	0.67	17
2-BLFF-12	2-GFF-12	1-1/4"	4.2	106.7	3.2	81.3	0.26	6.6	0.75	19
2-BLFF-15	2-GFF-15	1-1/2"	4.6	116.8	3.45	87.6	0.3	7.6	0.87	22
2-BLFF-20	2-GFF-20	2"	5.2	132.1	4	101.6	0.3	7.6	0.98	25

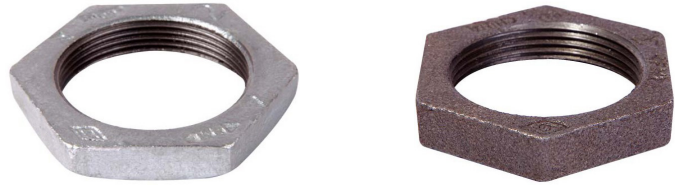
**BOSHART**  
INDUSTRIES

25 Whaley Avenue, PO Box 310, Milverton, ON CANADA N0K 1M0  
Tel: 800-561-3164

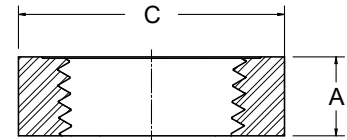
[boshart.com](http://boshart.com) ♦ [blog.boshart.com](http://blog.boshart.com)

# CLASS 150 BLACK / GALVANIZED MALLEABLE IRON FITTINGS

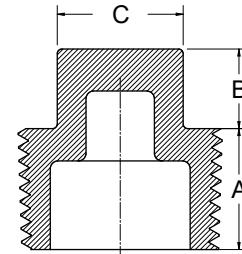
## Locknut - FPT



Black	Galvanized	Size	A		C	
			Inches	mm	Inches	mm
N/A	2-GLN-02	1/8"	0.19	4.8	0.69	17.5
2-BLLN-05	2-GLN-05	1/2"	0.31	7.9	1.18	30.0
2-BLLN-07	2-GLN-07	3/4"	0.34	8.6	1.43	36.3
2-BLLN-10	2-GLN-10	1"	0.38	9.7	1.75	44.5
2-BLLN-12	2-GLN-12	1-1/4"	0.42	10.7	2.10	53.3
2-BLLN-15	2-GLN-15	1-1/2"	0.47	11.9	2.35	59.7
N/A	2-GLN-20	2"	0.53	13.462	2.88	73.2



## Plug - MPT



Black	Galvanized	Size	A		B		C	
			Inches	mm	Inches	mm	Inches	mm
2-BLP-01	2-GP-01	1/8"	0.37	9.4	0.24	6.1	9/32	7.1
2-BLP-02	2-GP-02	1/4"	0.44	11.2	0.28	7.1	3/8	9.5
2-BLP-03	2-GP-03	3/8"	0.48	12.2	0.31	7.9	7/16	11.1
2-BLP-05	2-GP-05	1/2"	0.56	14.2	0.38	9.7	9/16	14.3
2-BLP-07	2-GP-07	3/4"	0.63	16.0	0.44	11.2	5/8	15.9
2-BLP-10	2-GP-10	1"	0.75	19.1	0.50	12.7	13/16	20.6
2-BLP-12	2-GP-12	1-1/4"	0.8	20.3	0.56	14.2	15/16	23.8
2-BLP-15	2-GP-15	1-1/2"	0.83	21.1	0.62	15.7	1 1/8	28.6
2-BLP-20	2-GP-20	2"	0.88	22.4	0.68	17.3	1 5/16	33.3
2-BLP-25	2-GP-25	2-1/2"	1.07	27.2	0.74	18.8	1 1/2	38.1
2-BLP-30	2-GP-30	3"	1.13	28.7	0.8	20.3	1 7/8	47.6
2-BLP-40	2-GP-40	4"	1.54	39.1	1.00	25.4	2 1/8	54.0
2-BLP-50	2-GP-50	5"	1.36	34.6	1.00	25.4	2 1/2	63.5
2-BLP-60	2-GP-60	6"	1.61	41	1.20	30.48	2 9/16	65.1

**BOSHART**  
INDUSTRIES

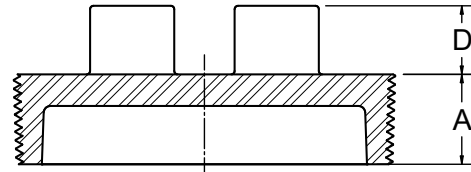
25 Whaley Avenue, PO Box 310, Milverton, ON CANADA N0K 1M0  
Tel: 800-561-3164

[boshart.com](http://boshart.com) ♦ [blog.boshart.com](http://blog.boshart.com)



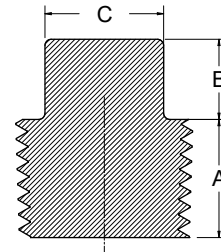
# CLASS 150 BLACK / GALVANIZED MALLEABLE IRON FITTINGS

## Bar Plug - MPT



Black	Size	A		D	
		Inches	mm	Inches	mm
2-BLP-50-BAR	5"	1.31	33.3	1	25.4

## Solid Plug - MPT

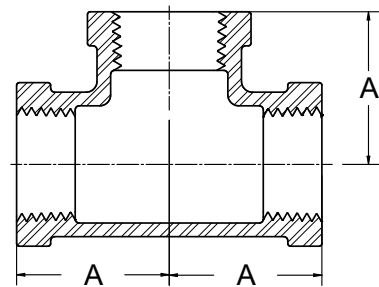


Black	Size	A		B		C	
		Inches	mm	Inches	mm	Inches	mm
2-BLPS-01	1/8"	0.37	9.4	0.24	6.1	9/32	7.1
2-BLPS-02	1/4"	0.44	11.2	0.28	7.1	3/8	9.5
2-BLPS-03	3/8"	0.48	12.2	0.31	7.9	7/16	11.1
2-BLPS-05	1/2"	0.56	14.2	0.38	9.7	9/16	14.3
2-BLPS-07	3/4"	0.63	16.0	0.44	11.2	5/8	15.9
2-BLPS-10	1"	0.75	19.1	0.5	12.7	13/16	20.6
2-BLPS-12	1-1/4"	0.8	20.3	0.56	14.2	15/16	23.8
2-BLPS-15	1-1/2"	0.83	21.1	0.62	15.7	1 1/8	28.6
2-BLPS-20	2"	0.88	22.4	0.68	17.3	1 5/16	33.3
2-BLPS-25	2-1/2"	1.07	27.2	0.74	18.8	1 1/2	38.1
2-BLPS-30	3"	1.13	28.7	0.8	20.3	1 7/8	47.6
2-BLPS-40	4"	1.22	30.988	1.0	25.4	2 1/8	54.0

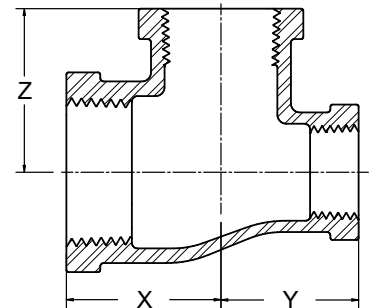
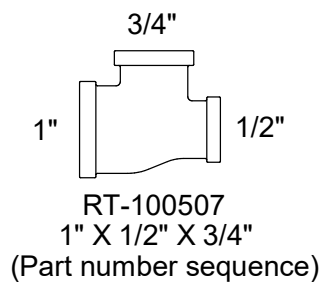
# CLASS 150 BLACK / GALVANIZED MALLEABLE IRON FITTINGS

## Tee - FPT

Black	Galvanized	Size	A	
			Inches	mm
2-BLT-01	2-GT-01	1/8"	0.69	17.5
2-BLT-02	2-GT-02	1/4"	0.81	20.6
2-BLT-03	2-GT-03	3/8"	0.95	24.1
2-BLT-05	2-GT-05	1/2"	1.12	28.5
2-BLT-07	2-GT-07	3/4"	1.31	33.3
2-BLT-10	2-GT-10	1"	1.5	38.1
2-BLT-12	2-GT-12	1-1/4"	1.75	44.5
2-BLT-15	2-GT-15	1-1/2"	1.94	49.3
2-BLT-20	2-GT-20	2"	2.25	57.2
2-BLT-25	2-GT-25	2-1/2"	2.7	68.6
2-BLT-30	2-GT-30	3"	3.08	78.2
2-BLT-40	2-GT-40	4"	3.79	96.3
2-BLT-50	2-GT-50	5"	4.5	114.3
2-BLT-60	2-GT-60	6"	5.13	130.3



## Reducing Tee - FPT



Black	Galvanized	Size	X		Y		Z	
			Inches	mm	Inches	mm	Inches	mm
2-BLRT-020201	N/A	1/4" x 1/4" x 1/8"	0.74	18.8	0.74	18.8	0.76	19.3
2-BLRT-030301	N/A	3/8" x 3/8" x 1/8"	0.81	20.6	0.81	20.6	0.85	21.6
2-BLRT-030302	2-GRT-030302	3/8" x 3/8" x 1/4"	0.88	22.4	0.88	22.4	0.90	22.9
2-BLRT-050501	N/A	1/2" x 1/2" x 1/8"	0.87	22.0	0.87	22.0	0.91	23.0
2-BLRT-050502	2-GRT-050502	1/2" x 1/2" x 1/4"	0.97	24.6	0.97	24.6	0.98	24.9
2-BLRT-050503	2-GRT-050503	1/2" x 1/2" x 3/8"	1.04	26.4	1.04	26.4	1.03	26.2
2-BLRT-050507	2-GRT-050507	1/2" x 1/2" x 3/4"	1.22	31.0	1.22	31.0	1.20	30.5
2-BLRT-050510	2-GRT-050510	1/2" x 1/2" x 1"	1.36	34.6	1.36	34.6	1.26	32.0

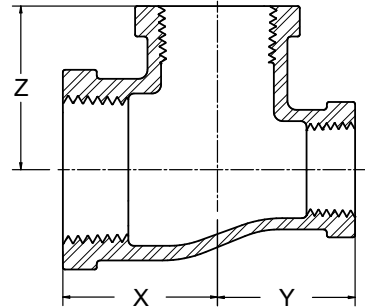
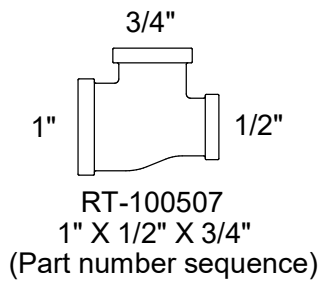
**BOSHART**  
INDUSTRIES

25 Whaley Avenue, PO Box 310, Milverton, ON CANADA N0K 1M0  
Tel: 800-561-3164

[boshart.com](http://boshart.com) ♦ [blog.boshart.com](http://blog.boshart.com)

# CLASS 150 BLACK / GALVANIZED MALLEABLE IRON FITTINGS

## Reducing Tee - FPT



Black	Galvanized	Size	X		Y		Z	
			Inches	mm	Inches	mm	Inches	mm
2-BLRT-070505	2-GRT-070505	3/4" x 1/2" x 1/2"	1.20	30.5	1.12	28.5	1.22	31.0
2-BLRT-070507	2-GRT-070507	3/4" x 1/2" x 3/4"	1.31	33.3	1.22	31.0	1.31	33.3
2-BLRT-070510	N/A	3/4" x 1/2" x 1"	1.50	38.0	1.30	33.0	1.34	34.0
2-BLRT-070702	2-GRT-070702	3/4" x 3/4" x 1/4"	1.05	26.7	1.05	26.7	1.08	27.4
2-BLRT-070703	2-GRT-070703	3/4" x 3/4" x 3/8"	1.12	28.5	1.12	28.5	1.13	28.7
2-BLRT-070705	2-GRT-070705	3/4" x 3/4" x 1/2"	1.20	30.5	1.20	30.5	1.22	31.0
2-BLRT-070710	2-GRT-070710	3/4" x 3/4" x 1"	1.45	36.8	1.45	36.8	1.37	34.8
2-BLRT-100505	2-GRT-100505	1" x 1/2" x 1/2"	1.26	32.0	1.12	28.5	1.36	35.5
2-BLRT-100507	2-GRT-100507	1" x 1/2" x 3/4"	1.37	34.8	1.22	31.0	1.45	36.8
2-BLRT-100510	2-GRT-100510	1" x 1/2" x 1"	1.50	38.1	1.36	35.5	1.50	38.1
2-BLRT-100705	2-GRT-100705	1" x 3/4" x 1/2"	1.26	32.0	1.20	30.5	1.36	35.5
2-BLRT-100707	2-GRT-100707	1" x 3/4" x 3/4"	1.37	34.8	1.31	33.3	1.45	36.8
2-BLRT-100710	2-GRT-100710	1" x 3/4" x 1"	1.50	38.1	1.45	36.8	1.50	38.1
2-BLRT-101002	2-GRT-101002	1" x 1" x 1/4"	1.11	28.2	1.11	28.2	1.22	31.0
2-BLRT-101003	2-GRT-101003	1" x 1" x 3/8"	1.18	30.0	1.18	30.0	1.27	32.3
2-BLRT-101005	2-GRT-101005	1" x 1" x 1/2"	1.26	32.0	1.26	32.0	1.36	35.5
2-BLRT-101007	2-GRT-101007	1" x 1" x 3/4"	1.37	34.8	1.37	34.8	1.45	36.8
2-BLRT-101012	2-GRT-101012	1" x 1" x 1-1/4"	1.67	42.4	1.67	42.4	1.58	40.1
2-BLRT-101015	2-GRT-101015	1" x 1" x 1-1/2"	1.80	45.7	1.80	45.7	1.73	41.9
2-BLRT-101020	N/A	1" x 1" x 2"	2.02	51.3	2.02	51.3	1.93	48.9
2-BLRT-120505	N/A	1-1/4" x 1/2" x 1/2"	1.34	34.0	1.06	27.0	1.50	38.0
2-BLRT-120507	N/A	1-1/4" x 1/2" x 3/4"	1.38	35.0	1.14	29.0	1.50	38.0
2-BLRT-120510	N/A	1-1/4" x 1/2" x 1"	1.58	40.1	1.36	34.5	1.67	42.4
2-BLRT-120512	2-GRT-120512	1-1/4" x 1/2" x 1-1/4"	1.75	44.5	1.53	38.9	1.75	44.5
2-BLRT-120705	2-GRT-120705	1-1/4" x 3/4" x 1/2"	1.57	40.0	1.46	37.0	1.67	42.5
2-BLRT-120707	2-GRT-120707	1-1/4" x 3/4" x 3/4"	1.57	40.0	1.31	33.3	1.62	41.2
2-BLRT-120710	2-GRT-120710	1-1/4" x 3/4" x 1"	1.58	40.1	1.45	36.8	1.67	42.4
2-BLRT-120712	2-GRT-120712	1-1/4" x 3/4" x 1-1/4"	1.75	44.5	1.62	41.2	1.75	44.5

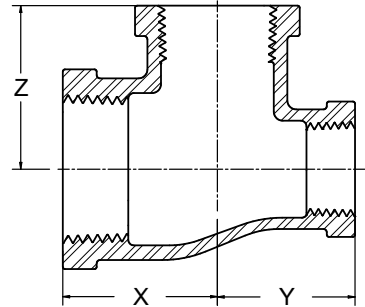
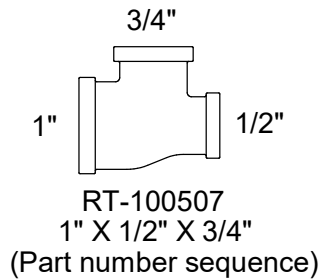


25 Whaley Avenue, PO Box 310, Milverton, ON CANADA N0K 1M0  
Tel: 800-561-3164

[boshart.com](http://boshart.com) ♦ [blog.boshart.com](http://blog.boshart.com)

# CLASS 150 BLACK / GALVANIZED MALLEABLE IRON FITTINGS

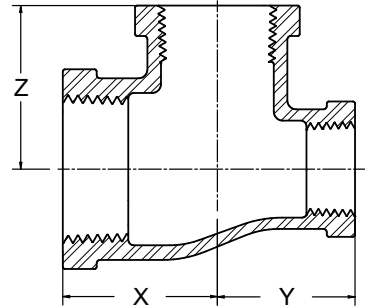
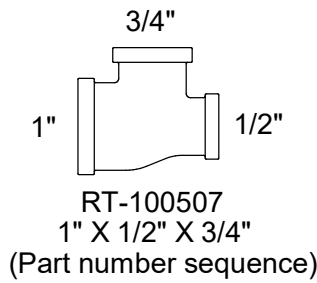
## Reducing Tee - FPT



Black	Galvanized	Size	X		Y		Z	
			Inches	mm	Inches	mm	Inches	mm
2-BLRT-121005	2-GRT-121005	1-1/4" x 1" x 1/2"	1.34	34.0	1.26	32.0	1.53	38.9
2-BLRT-121007	2-GRT-121007	1-1/4" x 1" x 3/4"	1.45	36.8	1.37	34.8	1.62	41.2
2-BLRT-121010	2-GRT-121010	1-1/4" x 1" x 1"	1.58	40.1	1.50	38.1	1.67	42.4
2-BLRT-121012	2-GRT-121012	1-1/4" x 1" x 1-1/4"	1.75	44.5	1.67	42.4	1.75	44.5
2-BLRT-121015	N/A	1-1/4" x 1" x 1-1/2"	1.89	48.0	1.81	46.0	1.81	46.0
2-BLRT-121202	N/A	1-1/4" x 1-1/4" x 1/4"	1.18	30.0	1.18	30.0	1.44	36.5
2-BLRT-121203	2-GRT-121203	1-1/4" x 1-1/4" x 3/8"	1.26	32.0	1.26	32.0	1.44	36.6
2-BLRT-121205	2-GRT-121205	1-1/4" x 1-1/4" x 1/2"	1.34	34.0	1.34	34.0	1.53	38.9
2-BLRT-121207	2-GRT-121207	1-1/4" x 1-1/4" x 3/4"	1.45	36.8	1.45	36.8	1.62	41.2
2-BLRT-121210	2-GRT-121210	1-1/4" x 1-1/4" x 1"	1.58	40.1	1.58	40.1	1.67	42.4
2-BLRT-121215	N/A	1-1/4" x 1-1/4" x 1-1/2"	1.88	47.8	1.88	47.8	1.82	46.2
2-BLRT-121220	N/A	1-1/4" x 1-1/4" x 2"	2.10	53.3	2.10	53.3	1.90	48.3
2-BLRT-150507	N/A	1-1/2" x 1/2" x 3/4"	1.57	40.0	1.18	30.0	1.69	43.0
2-BLRT-150510	2-GRT-150510	1-1/2" x 1/2" x 1"	1.73	44.0	1.34	34.0	1.81	46.0
2-BLRT-150512	N/A	1-1/2" x 1/2" x 1-1/4"	1.89	48.0	1.50	38.0	1.93	49.0
2-BLRT-150515	2-GRT-150515	1-1/2" x 1/2" x 1-1/2"	1.94	49.3	1.66	42.2	1.94	49.3
2-BLRT-150705	N/A	1-1/2" x 3/4" x 1/2"	1.50	38.0	1.14	29.0	1.61	41.0
2-BLRT-150707	N/A	1-1/2" x 3/4" x 3/4"	1.50	38.0	1.26	32.0	1.69	43.0
2-BLRT-150712	N/A	1-1/2" x 3/4" x 1-1/4"	1.81	46.0	1.61	41.0	1.89	48.0
2-BLRT-150715	2-GRT-150715	1-1/2" x 3/4" x 1-1/2"	1.94	49.3	1.75	44.5	1.94	49.3
2-BLRT-151007	2-GRT-151007	1-1/2" x 1" x 3/4"	1.57	40.0	1.38	35.0	1.69	43.0
2-BLRT-151010	2-GRT-151010	1-1/2" x 1" x 1"	1.65	41.9	1.50	38.1	1.80	45.7
2-BLRT-151012	N/A	1-1/2" x 1" x 1-1/4"	1.82	46.2	1.67	42.4	1.88	47.8
2-BLRT-151015	2-GRT-151015	1-1/2" x 1" x 1-1/2"	1.94	49.3	1.80	45.7	1.94	49.3
2-BLRT-151205	2-GRT-151205	1-1/2" x 1-1/4" x 1/2"	1.41	35.8	1.34	34.0	1.66	42.2
2-BLRT-151207	2-GRT-151207	1-1/2" x 1-1/4" x 3/4"	1.52	38.6	1.45	36.3	1.75	44.5
2-BLRT-151210	2-GRT-151210	1-1/2" x 1-1/4" x 1"	1.65	41.9	1.58	40.1	1.80	45.7

# CLASS 150 BLACK / GALVANIZED MALLEABLE IRON FITTINGS

## Reducing Tee - FPT

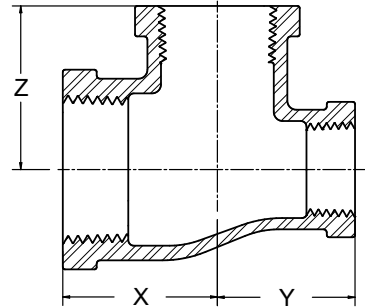
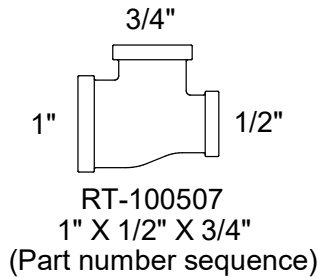


Black	Galvanized	Size	X		Y		Z	
			Inches	mm	Inches	mm	Inches	mm
2-BLRT-151212	2-GRT-151212	1-1/2" x 1-1/4" x 1-1/4"	1.82	46.2	1.75	44.5	1.88	47.8
2-BLRT-151215	2-GRT-151215	1-1/2" x 1-1/4" x 1-1/2"	1.94	49.3	1.88	47.8	1.94	49.3
2-BLRT-151220	N/A	1-1/2" x 1-1/4" x 2"	2.17	55.0	2.11	53.5	2.03	51.5
2-BLRT-151505	2-GRT-151505	1-1/2" x 1-1/2" x 1/2"	1.41	35.8	1.41	35.8	1.66	42.2
2-BLRT-151507	2-GRT-151507	1-1/2" x 1-1/2" x 3/4"	1.52	38.6	1.52	38.6	1.75	44.5
2-BLRT-151510	2-GRT-151510	1-1/2" x 1-1/2" x 1"	1.65	41.9	1.65	41.9	1.80	45.7
2-BLRT-151512	2-GRT-151512	1-1/2" x 1-1/2" x 1-1/4"	1.82	46.2	1.82	46.2	1.88	47.8
2-BLRT-151520	2-GRT-151520	1-1/2" x 1-1/2" x 2"	2.16	54.9	2.16	54.9	2.02	51.3
2-BLRT-200520	2-GRT-200520	2" x 1/2" x 2"	2.25	57.2	1.88	47.8	2.25	57.2
2-BLRT-200720	2-GRT-200720	2" x 3/4" x 2"	2.25	57.2	1.97	50.0	2.25	57.2
2-BLRT-201010	2-GRT-201010	2" x 1" x 1"	1.73	44.0	1.50	38.0	2.01	51.0
2-BLRT-201015	N/A	2" x 1" x 1-1/2"	2.02	51.3	1.80	45.7	2.16	54.9
2-BLRT-201020	2-GRT-201020	2" x 1" x 2"	2.25	57.2	2.02	51.3	2.25	57.2
2-BLRT-201210	N/A	2" x 1-1/4" x 1"	1.57	40.0	1.73	44.0	2.01	51.0
2-BLRT-201212	2-GRT-201212	2" x 1-1/4" x 1-1/4"	1.90	48.3	1.75	44.5	2.10	53.3
2-BLRT-201215	2-GRT-201215	2" x 1-1/4" x 1-1/2"	2.02	51.3	1.88	47.8	2.16	54.9
2-BLRT-201220	2-GRT-201220	2" x 1-1/4" x 2"	2.25	57.2	2.10	53.3	2.25	57.2
2-BLRT-201507	N/A	2" x 1-1/2" x 3/4"	1.56	39.5	1.48	37.5	1.93	49.0
2-BLRT-201510	2-GRT-201510	2" x 1-1/2" x 1"	1.73	43.9	1.65	41.9	2.02	51.3
2-BLRT-201512	2-GRT-201512	2" x 1-1/2" x 1-1/4"	1.90	48.3	1.82	46.2	2.10	53.3
2-BLRT-201515	2-GRT-201515	2" x 1-1/2" x 1-1/2"	2.02	51.3	1.94	49.3	2.16	54.9
2-BLRT-201520	2-GRT-201520	2" x 1-1/2" x 2"	2.25	57.2	2.16	54.8	2.25	57.2
2-BLRT-202005	2-GRT-202005	2" x 2" x 1/2"	1.49	37.9	1.49	37.9	1.88	47.8
2-BLRT-202007	2-GRT-202007	2" x 2" x 3/4"	1.60	40.6	1.60	40.6	1.97	50.0
2-BLRT-202010	2-GRT-202010	2" x 2" x 1"	1.73	43.9	1.73	43.9	2.02	51.3
2-BLRT-202012	2-GRT-202012	2" x 2" x 1-1/4"	1.90	48.3	1.90	48.3	2.10	53.3
2-BLRT-202015	2-GRT-202015	2" x 2" x 1-1/2"	2.02	51.3	2.02	51.3	2.16	54.9
2-BLRT-202025	N/A	2" x 2" x 2-1/2"	2.60	66.0	2.60	66.0	2.39	60.7



# CLASS 150 BLACK / GALVANIZED MALLEABLE IRON FITTINGS

## Reducing Tee - FPT



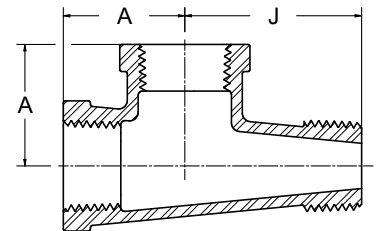
Black	Galvanized	Size	X		Y		Z	
			Inches	mm	Inches	mm	Inches	mm
2-BLRT-251525	N/A	2-1/2" x 1-1/2" x 2-1/2"	2.70	68.6	2.51	63.8	2.70	68.6
2-BLRT-252020	N/A	2-1/2" x 2" x 2"	2.39	60.7	2.16	57.2	2.60	66.0
2-BLRT-252025	2-GRT-252025	2-1/2" x 2" x 2-1/2"	2.70	68.6	2.60	66.0	2.70	68.6
2-BLRT-252505	N/A	2-1/2" x 2-1/2" x 1/2"	1.61	41.0	1.61	41.0	2.24	57.0
2-BLRT-252507	2-GRT-252507	2-1/2" x 2-1/2" x 3/4"	1.74	44.2	1.74	44.2	2.32	58.9
2-BLRT-252510	2-GRT-252510	2-1/2" x 2-1/2" x 1"	1.87	47.5	1.87	47.5	2.37	60.2
2-BLRT-252512	N/A	2-1/2" x 2-1/2" x 1-1/4"	2.04	51.8	2.04	51.8	2.45	62.2
2-BLRT-252515	2-GRT-252515	2-1/2" x 2-1/2" x 1-1/2"	2.16	54.9	2.16	54.9	2.51	63.8
2-BLRT-252520	2-GRT-252520	2-1/2" x 2-1/2" x 2"	2.39	60.7	2.39	60.7	2.60	66.0
2-BLRT-302020	2-GRT-302020	3" x 2" x 2"	2.52	64.0	2.25	57.2	2.89	73.4
2-BLRT-302030	2-GRT-302030	3" x 2" x 3"	3.08	78.2	2.89	73.4	3.08	78.2
2-BLRT-303005	2-GRT-303005	3" x 3" x 1/2"	1.65	42.0	1.65	42.0	2.52	64.0
2-BLRT-303007	2-GRT-303007	3" x 3" x 3/4"	1.87	47.5	1.87	47.5	2.61	66.3
2-BLRT-303010	2-GRT-303010	3" x 3" x 1"	2.00	50.8	2.00	50.8	2.66	67.6
2-BLRT-303012	2-GRT-303012	3" x 3" x 1-1/4"	2.17	55.1	2.17	55.1	2.74	69.6
2-BLRT-303015	2-GRT-303015	3" x 3" x 1-1/2"	2.29	58.2	2.29	58.2	2.80	71.1
2-BLRT-303020	2-GRT-303020	3" x 3" x 2"	2.52	64.0	2.52	64.0	2.89	73.4
2-BLRT-303025	2-GRT-303025	3" x 3" x 2-1/2"	2.83	71.9	2.83	71.9	2.99	76.0
2-BLRT-404010	2-GRT-404010	4" x 4" x 1"	2.20	56.0	2.20	56.0	3.23	82.0
2-BLRT-404012	N/A	4" x 4" x 1-1/4"	2.36	60.0	2.36	60.0	3.31	84.0
2-BLRT-404015	N/A	4" x 4" x 1-1/2"	2.51	63.8	2.51	63.8	3.32	84.3
2-BLRT-404020	2-GRT-404020	4" x 4" x 2"	2.74	69.6	2.74	69.6	3.41	86.6
2-BLRT-404025	2-GRT-404025	4" x 4" x 2-1/2"	3.05	77.5	3.05	77.5	3.51	89.2
2-BLRT-404030	2-GRT-404030	4" x 4" x 3"	3.30	83.8	3.30	83.8	3.60	91.4

# CLASS 150 BLACK / GALVANIZED MALLEABLE IRON FITTINGS

## Street Tee - MPT x FPT x FPT



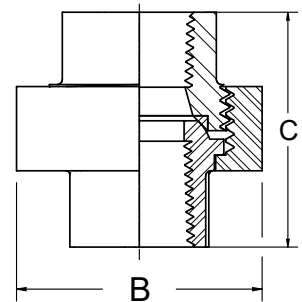
Black	Galvanized	Size	A		J	
			Inches	mm	Inches	mm
2-BLST-05	2-GST-05	1/2"	1.12	28.5	1.63	41.2
2-BLST-07	2-GST-07	3/4"	1.31	33.3	1.89	48
2-BLST-10	2-GST-10	1"	1.5	38.1	2.14	54.4
2-BLST-12	2-GST-12	1-1/4"	1.75	44.5	2.45	62.2
2-BLST-15	2-GST-15	1-1/2"	1.94	49.3	2.69	68.3
2-BLST-20	N/A	2"	2.25	57.2	3.26	82.8



## Union - FPT



Black	Galvanized	Size	B		C	
			Inches	mm	Inches	mm
2-BLU-01	2-GU-01	1/8"	0.93	23.5	1.26	32.0
2-BLU-02	2-GU-02	1/4"	1.10	28.0	1.44	36.5
2-BLU-03	2-GU-03	3/8"	1.26	32.0	1.61	41.0
2-BLU-05	2-GU-05	1/2"	1.45	37.0	1.72	43.5
2-BLU-07	2-GU-07	3/4"	1.71	43.5	1.94	49.5
2-BLU-10	2-GU-10	1"	2.07	52.5	2.06	52.5
2-BLU-12	2-GU-12	1-1/4"	2.50	63.5	2.26	57.5
2-BLU-15	2-GU-15	1-1/2"	2.82	71.5	2.41	61.0
2-BLU-20	2-GU-20	2"	3.41	86.5	2.75	70.0
2-BLU-25	2-GU-25	2-1/2"	4.12	104.5	3.22	82.0
2-BLU-30	2-GU-30	3"	4.75	120.5	3.50	89.0
2-BLU-40	2-GU-40	4"	6.00	152.5	3.85	98.0
2-BLU-60	2-GU-60	6"	8.86	225	5.71	145



**BOSHART**  
INDUSTRIES

25 Whaley Avenue, PO Box 310, Milverton, ON CANADA N0K 1M0  
Tel: 800-561-3164

[boshart.com](http://boshart.com) ♦ [blog.boshart.com](http://blog.boshart.com)